

ARTOAL16

ACCENT

5 - 10W (500 - 950lm) | 12V | HK LED



Materials

6061-T6 Machined aluminum
316 stainless steel hardware

Fitting

1/2"-14 NPS male thread

Dimming

MLV / ELV

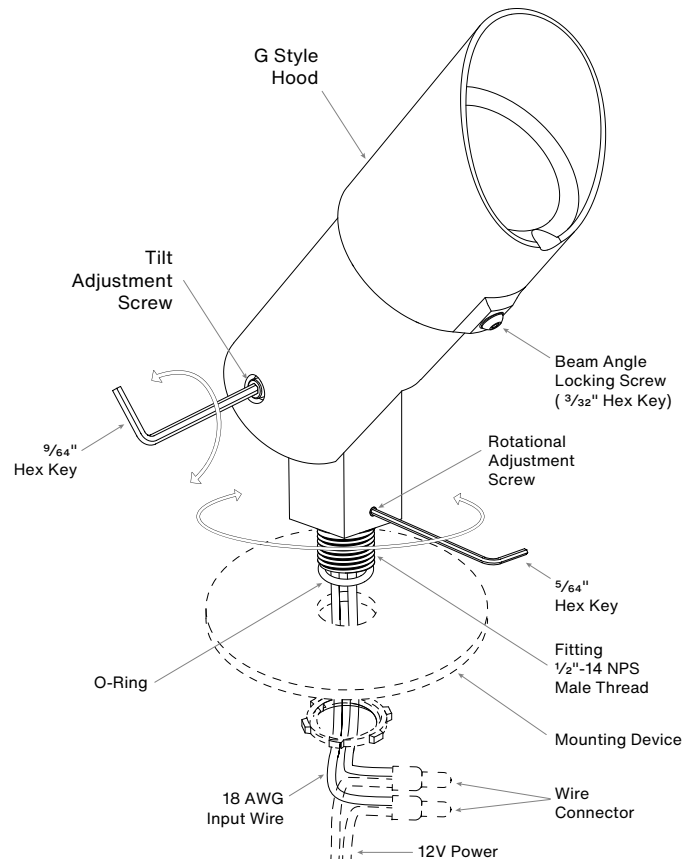
Installation and Adjustment



TURN OFF POWER BEFORE AND DURING WIRING TO POWER SUPPLY

Installation/Service must be done by a qualified electrician, and compliant with NEC and Local Codes.

- 1** Secure the fixture fitting to the 1/2"-14 NPS female thread on mounting device (plate, box, spike, etc.).
- 2** Connect 18 AWG solid input wires to the 12V power source using appropriate wire connectors.
- 3** Secure the mounting device with the fixture to mounting surface. For HK original mounting accessory, see the individual instruction for further detail of the installation.
- 4** To adjust tilting position of fixture, loosen tilt adjustment screw with 9/64" hex key, aim the fixture body and tighten the screw to secure the fixture in place. Do not tighten more than necessary.
- 5** To adjust rotating position of the fixture, loosen rotation adjustment screw with 5/64" hex key, aim the fixture stem and tighten the screw to secure the fixture in place. Do not tighten more than necessary.

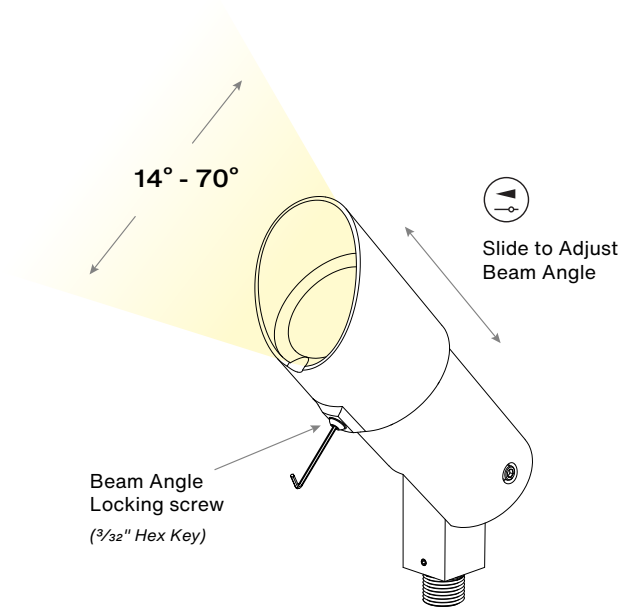


Beam Angle Adjustment

- 1 Use a $\frac{3}{32}$ " hex key to loosen the locking screw.
- 2 Slide the hood forward for the smallest beam or backward for the largest.
- 3 Secure the locking screw to ensure watertightness.

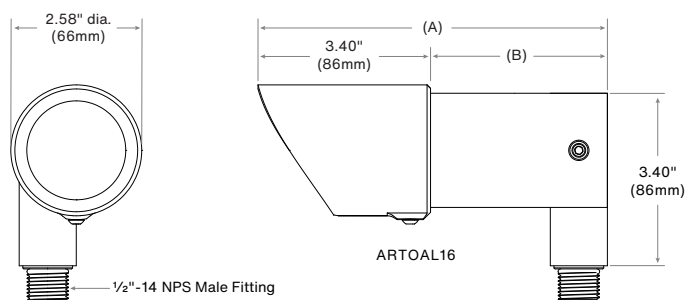
For Specified Preset Beam Angles

Use a ruler to match the desired beam angle with the corresponding measurements in tables below.



Preset Beam Angle Adjustment

G HOOD



Beam Angle (FWHM)	Dimension (A)	Dimension (B)
70	6 7/8" / 175mm	3 1/2" / 89mm
50	7 1/16" / 180mm	3 11/16" / 94mm
35	7 5/16" / 185mm	3 7/8" / 99mm
25	7 1/2" / 190mm	4 1/16" / 104mm
14	8" / 201mm	4 9/16" / 115mm

Lamp and Reflector Replacement



TURN OFF POWER AND KEEP FIXTURE COOL DURING MAINTENANCE SERVICE

- 1** Loosen the beam angle locking screw and slide the hood forward to expose fixture body.
- 2** Rotate the fixture body counter-clockwise to access the LED module.
- 3** Rotate the LED module assembly counter-clockwise to remove it from the body.
- 4** Replace LED module screwing clockwise.
- 5** Reconnect fixture body screwing clockwise.
- 6** Slide the hood back to reset your beam angle visually or using the table provided.
- 7** Secure the beam angle locking screw to fix in place and ensure watertightness.

