

ARTOFL16

FLOOD

8W (500lm) | 12V | HK LED



Materials

6061-T6 Machined aluminum
316 stainless steel hardware

Fitting

1/2"-14 NPS male thread

Dimming

MLV / ELV

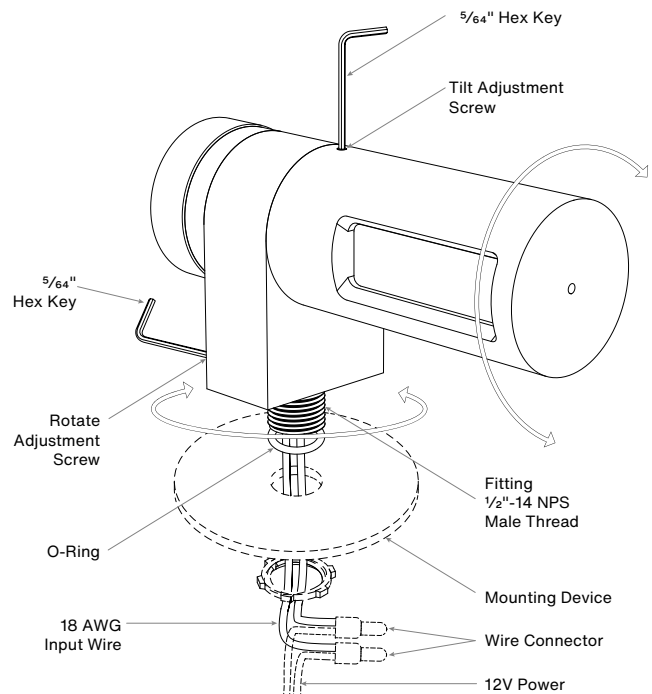
Installation and Adjustment



TURN OFF POWER BEFORE AND DURING WIRING TO POWER SUPPLY

Installation/Service must be done by a qualified electrician, and compliant with NEC and Local Codes.

- 1** Secure the fixture fitting to the 1/2" - 14 NPS female thread on mounting device (plate, box, spike, etc.).
- 2** Connect 18 AWG solid input wires to the 12V power source using appropriate wire connectors.
- 3** Secure the mounting device with the fixture to mounting surface. For HK original mounting accessory, see the individual instruction for further detail of the installation.
- 4** To adjust tilting position of fixture, loosen tilt adjustment screw with 5/64" hex key, aim the fixture body and tighten the screw to secure the fixture in place. Do not tighten more than necessary.
- 5** To adjust rotating position of the fixture, loosen rotation adjustment screw with 5/64" hex key, aim the fixture stem and tighten the screw to secure the fixture in place. Do not tighten more than necessary.



Lamp and Reflector Replacement



TURN OFF POWER AND KEEP FIXTURE COOL DURING MAINTENANCE SERVICE

- 1** Loosen the hood lock screw with $\frac{5}{64}$ " hex key, pull out and rotate the hood from fixture body, and access the LED module assembly.
- 2** Pull out the LED module and replace the new LED module.
- 3** Replace the fixture hood onto the fixture body. Ensure the O-ring is in the proper groove on the fixture body to maintain fixture watertight seal.
- 4** Tighten the hood lock screw to secure the hood in place. Do not overtighten.

