

ARTOPL11

PATH

7W (675lm) | 12V | HK LED



Materials

6061-T6 Machined aluminum
316 stainless steel hardware

Fitting

1/2" - 14 NPS male thread

Dimming

MLV / ELV

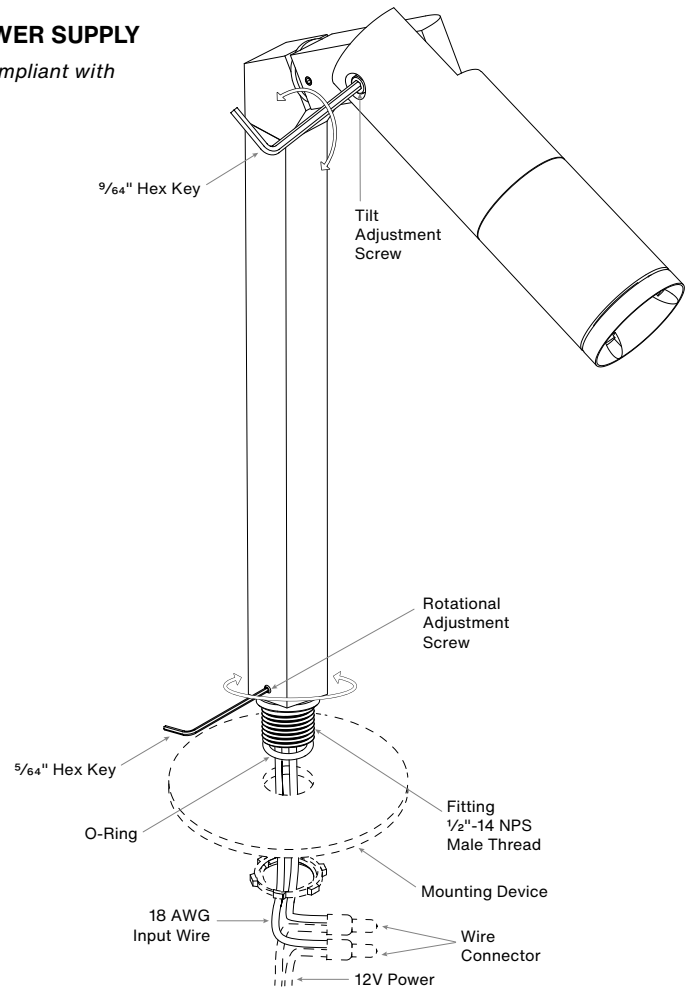
Installation and Adjustment



TURN OFF POWER BEFORE AND DURING WIRING TO POWER SUPPLY

Installation/Service must be done by a qualified electrician, and compliant with NEC and Local Codes.

- 1** Secure the fixture fitting to the 1/2" - 14 NPS female thread on mounting device (plate, box, spike, etc.).
- 2** Connect 18 AWG solid input wires to the 12V power source using appropriate wire connectors.
- 3** Secure the mounting device with the fixture to mounting surface. For HK original mounting accessory, see the individual instruction for further detail of the installation.
- 4** To adjust tilting position of fixture, loosen tilt adjustment screw with 9/64" hex key, aim the fixture body and tighten the screw to secure the fixture in place. Do not tighten more than necessary.
- 5** To adjust rotating position of the fixture, loosen rotation adjustment screw with 5/64" hex key, aim the fixture stem and tighten the screw to secure the fixture in place. Do not tighten more than necessary.

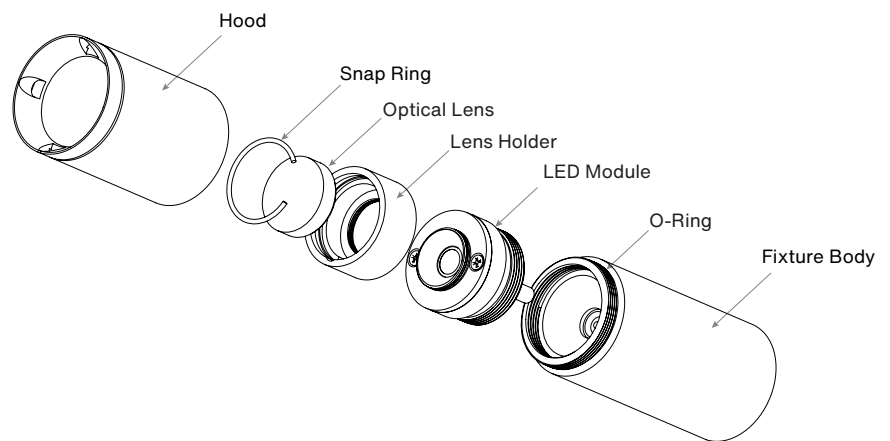


Lamp and Reflector Replacement

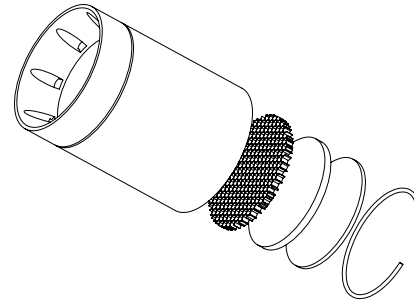
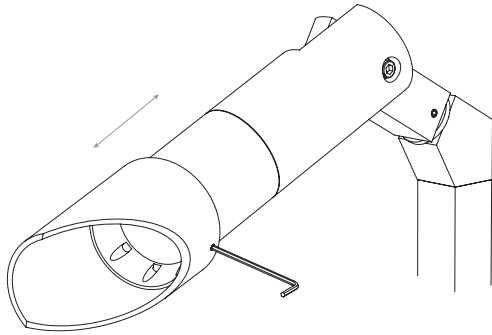


TURN OFF POWER AND KEEP FIXTURE COOL DURING MAINTENANCE SERVICE

- 1** Rotate threaded hood counter-clockwise to remove it from fixture body and access the LED module and reflector assembly.
- 2** Rotate the LED module and optical lens assembly counter-clockwise to remove it from the body.
- 3** Remove the optical lens from the LED module.
- 4** Replace LED module or optical lens as necessary and install the optical lens back onto the LED module.
- 5** Thread fixture hood onto the fixture body and rotate clockwise. Ensure the O-ring is in the proper groove on the fixture body to maintain fixture watertight seal.



Glare Shield Adjustment & Optical Accessory Setting



Glare Shield Setting For A&B Hood

- 1 Use the $\frac{9}{64}$ " hex key to loosen the set screw (8-32 UNC set screw) on the bottom of the glare shield, making sure the screw is not protruding inside the glare shield.
- 2 Slide the glare shield to the desired position, and tighten the set screw. (⚠ do not overtighten).

For Optical Accessory Setting

- 1 Rotate threaded hood counter-clockwise and remove it from fixture body.
- 2 The hood accepts up to 3 accessory optics (hexcel louver, optical lenses, etc.), which are secured in place with metal snap ring.
- 3 Pull out the snap ring from the hood.
- 4 Install or replace the optic accessory by placing it into the hood, against the lens.
- 5 Replace the snap ring into the hood and push it into the groove on the inside of the hood that holds the single or multiple accessories best.
- 6 Thread fixture hood onto the fixture body and rotate clockwise. Ensure the O-ring is in the proper groove on the fixture body to maintain fixture watertight seal.