

# ARTOA16

## CENTER PIVOT

ACCENT | 2.25" dia.

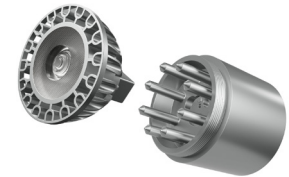
7.5W (640lm) | 12V | SORAA, LED Lamp, Halogen



LED Lamp Center Pivot Round Accent: ARTOA16-CR in black

### FEATURES

- Versatile round, directional MR16 (GU 5.3) traditional Center Pivot accent light for residential landscape and outdoor architectural environments.
- Flexible lamp configurations include SORAA LED Lamp with patented Heat Sink or use your preferred LED or Halogen lamp.
- Wet Location Listed, IP67 Standard.
- Machined from solid aircraft grade (6061-T6), corrosion-resistant aluminum, then anodized and powder coated to create a highly durable, marine grade finish.
- Innovative hydrophobic lens coating ensures clean, bright light for years to come.
- 240° vertical and 360° horizontal adjustment via locking swivel stem design.
- Field changeable optical lensing available.
- Available with Angled Glare Shield and ground, surface, or canopy mounting options.
- Every fixture tested end of line for water tightness and light quality.



#### Integral SORAA® Heat Sink

US patented Thermobuster™ provides extra heat dissipation that reduces the lamp junction temperature by 77°F(25°C). Enables even the highest wattage SORAA® lamps to be used in an enclosed fixture without sacrificing its performance or life expectancy.

### SPECIFICATIONS

<p><b>Materials</b> Solid billet 6061-T6 corrosion resistant aluminum with 316 stainless steel hardware.</p>	<p><b>Voltage</b> 12V AC/DC. Requires remote step down transformer.</p>	<p><b>Optics</b> Provided SORAA Lamp delivers 10° beam spread. Select optional SORAA Lamp Snap System Beam Spreader magnetic lenses to expand optical beam up to 60°. Accepts up to 3 accessory pieces (hexcel louver, optical lenses, etc.). Secured in place with metal snap ring.</p>
<p><b>Finish</b> Aluminum materials are first anodized and then powder coated for a robust, marine grade finish.</p>	<p><b>Wattage</b> Max. 9W for SORAA MR16 lamp with Thermobuster. Max. 50W for halogen lamp.</p>	<p><b>Mounting</b> Mounts using 1/2"-14 NPS male fitting compatible with all HK Lighting mounting accessories. Ships with extended 36" wiring leads with two Small (Blue LightingShrink® connectors to ensure fast and watertight connections. (See page 4 for details)</p>
<p><b>Hood and Glare Shield</b> Weeping Hood Style. Angled Glare Shield available. (See page 4 for details)</p>	<p><b>Light Engine</b> MR16 Halogen lamp or MR16 SORAA LED lamp. Provided SORAA Lamp is CRI 90 and available in 2700K or 3000K CCT. More information at: <a href="#">SORAA MR16 GU5.3</a>.</p>	<p><b>Listings</b> ETL Listed for Wet Location, IP67 Standard. RoHS Compliant.</p>
	<p><b>Dimming</b> MLV, ELV Phase Control dimming. Please refer to website for <a href="#">SORAA MR16</a> dimmer compatibility.</p>	
	<p><b>Lamp Base/Socket</b> Standard bi-pin socket for GU5.3/G4/GX5.3/GY6.35/GZ4.</p>	

### ORDERING GUIDE

EXAMPLE: **ARTOA16-CR-012VSL-08728-BK**

MODEL	PHYSICAL OPTIONS	LIGHT ENGINE	SORAA LAMP		MATERIAL / FINISH
<b>ARTOA16</b>	<b>CR</b>	<b>012V</b>			
2.25" Accent Light SORAA LED, LED Lamp or Halogen Lamp Low Voltage (GU 5.3)	<b>CR</b> Center Pivot, Round	<b>VOLTAGE</b>	<b>LAMP</b>		<b>BK</b> Aluminum Black
		<b>012V</b> 12V AC (GU5.3 Lamp)	<b>SL</b> SORAA Lamp Included <sup>1</sup>	<b>08722</b> Brilliant HL (7.5W, 10°, 2700K) Included <sup>3</sup>	<b>BZ</b> Aluminum Bronze
			<b>SN</b> SORAA Lamp Compatible <sup>1</sup>	<b>08728</b> Brilliant HL (7.5W, 10°, 3000K) Included <sup>3</sup>	
			<b>NL</b> No Lamp <sup>2</sup>		

<sup>1</sup> Only compatible with SORRA LED Lamp.

<sup>2</sup> Compatible with Halogen Lamp.

<sup>3</sup> Use SORAA Snap System Beam Spreader lenses to expand optical beams up to 60°.

### OPTIONAL ACCESSORIES (Not installed at time of order)

GLARE SHIELD	SORAA LAMP	SORAA SNAP SYSTEM BEAM SPREADER	OPTIC LENSES	MOUNTING
<b>AGSA-16-XX</b> A/B Glare Shield Angled	<b>ASL-08728</b> SORAA Brilliant HL (7.5W, 10°, 2700K) Included <sup>3</sup>	<b>ALASO-SNAP17-03263</b> SORAA SNAP 17° Beam Spreader	<b>ALVR-16</b> Hexcel Louver	<b>GROUND MOUNT</b>
	<b>ASL-08722</b> SORAA Brilliant HL (7.5W, 10°, 3000K) Included <sup>3</sup>	<b>ALASO-SNAP25-00325</b> SORAA SNAP 25° Beam Spreader	<b>AOSL-16</b> Overall Spread Lens	<b>AMHCS-06</b> 6" PVC Single Prong Spike (12V)
		<b>ALASO-SNAP36-00327</b> SORAA SNAP 36° Beam Spreader	<b>ALSL-16</b> Linear Spread Lens	<b>AMHCS-12</b> 12" PVC Single Prong Spike (12V)
		<b>ALASO-SNAP60-00329</b> SORAA SNAP 60° Beam Spreader	<b>ASOL-16</b> Solite Soft Focus	<b>AMH02-06-BZ</b> 6" Stainless Steel 3-Prong Spike (12V) Bronze
				<b>AMH02-12-BZ</b> 12" Stainless Steel 3-Prong Spike (12V) Bronze
				<b>AJB-1</b> Brass In-ground Junction Box
				<b>CANOPY MOUNT</b>
				<b>ACM3-XX</b> 4.75" Square Canopy Plate
				<b>ACM5-XX</b> 5" Round Canopy Plate
				<b>SURFACE MOUNT</b>
				<b>ACMLJ-XX</b> 2.7" Round Surface Box
				<b>ACB4.0-XX</b> 4" Round Surface Box
				<b>ACB5.5-XX</b> 5.5" Round Surface Box
				<b>EXTENSIONS</b>
				<b>AEXR-16-12-XX</b> 12" Extension for ARTOA16 Center Pivot
				<b>AEXR-16-24-XX</b> 24" Extension for ARTOA16 Center Pivot

- XX represents color option.

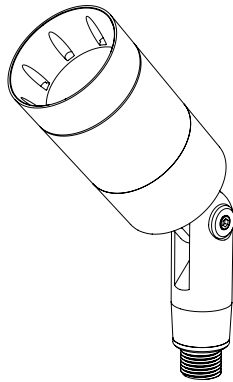
### OUTDOOR MAGNETIC TRANSFORMERS (120V input/12VAC Output)

TRANSFORMERS (Go to [Accessories](#) for detailed specification)

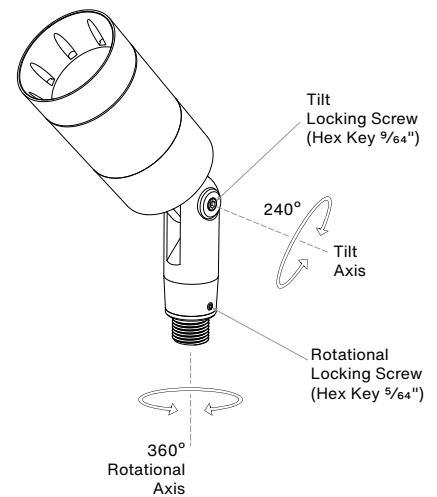
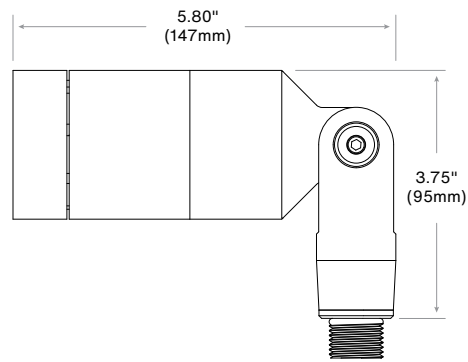
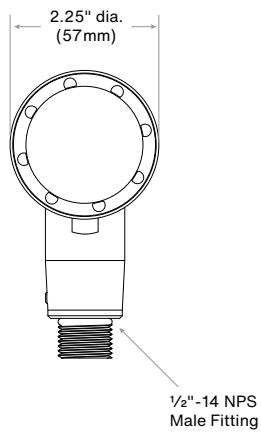
EXAMPLE: **ATXM-150-OTR-SS**

ATXM	MODEL	WATTAGE (VA)	OTR-SS	PRIMARY VOLTAGE (VAC)
<b>ATXM</b>	Stainless steel, wet location outdoor magnetic transformer Multitap   12-15VAC Output   MLV Dimming	<b>150</b> 150 Watts	<b>OTR-SS</b>	120V Only
		<b>300</b> 300 Watts		

## PRODUCT DRAWINGS



**ARTOA16-CR**

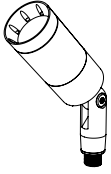


### Notes:



### OPTIONS & ACCESSORIES

#### HOOD OPTION



##### A HOOD

Versatile hood with 8 weep holes for water drainage. Regressed lens for glare control. Suggested for general use or when fixture is aimed in an up position.

#### OPTIONAL GLARE SHIELD

For use with Hood, fastened with Set Screw



AGSA  
(angle)



#### MOUNTING ACCESSORIES

Go to [Accessories](#) for options and full specifications.

##### Canopy Mount:



ACM3



ACM5

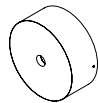
##### Surface Mount Box:



ACMLJ



ACB4.0



ACB5.5

##### Ground Mount:



AMHCS



AMH02-06



AMH02-12



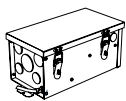
AJB-1

##### Extension:



AEXR-16

#### TRANSFORMER



**Magnitude Otter™ Landscape Transformer Series**  
150W or 300W, 120V input, multi-tap output, with light sensor and surge protection.  
(11.46" h x 6.132" w x 5.69" d)

ATXM-150-OTR-SS

ATXM-300-OTR-SS

#### WIRING

For more information visit: [lightingshrink.com](http://lightingshrink.com)



ALSC-CR



LightingShrink® Connector  
Small (Blue) - 20 pack

ALSC-SM20



LightingShrink® Connector  
Medium (Yellow) - 20 pack

ALSC-MD20