

# ARTOAL08

ACCENT | 1.25" dia.

3W (200lm) | 12V | HK LED



Standard Low Voltage Round Accent:ARTOAL08-SR in black

## FEATURES

- Our smallest round, directional 12V LED modern accent light for residential landscape and architectural environments. Most appropriate to illuminate small trees under 10 feet, sculptural elements, and low plantings.
- 3W integrated HK LED delivering 200 lumens. 2700K, 3000K CCT.
- Wet Location Listed, IP67 Standard.
- Machined from solid aircraft grade (6061-T6), corrosion-resistant aluminum, then anodized and powder coated to create a highly durable, marine grade finish.
- Innovative hydrophobic lens coating ensures clean, bright light for years to come.
- 240° vertical and 360° horizontal adjustment via locking swivel stem design.
- Modular components, field changeable LED optical beams, and lenses.
- Available with adjustable Angled Glare Shield and ground, surface, and canopy mounting options.
- Every fixture tested end of line for water tightness and light quality.

## SPECIFICATIONS

### Materials

Solid billet 6061-T6 corrosion resistant aluminum with 316 stainless steel hardware.

### Finish

Aluminum materials are first anodized and then powder coated for a robust, marine grade finish.

### Hood and Glare Shield

Weeping Hood Style. Angled Glare Shield available. (See page 4 for details)

### Voltage

12V AC/DC. Requires remote step down transformer.

### Wattage

3W HK LED, delivering 200 lumens.

### Light Engine

Innovative HK LED Light module operates like a lamp and can be easily changed in the field. CRI 90 Standard. 2700K, 3000K CCT.

### Dimming

MLV or ELV Phase Control dimming.

### Optics

Narrow (19°), Medium (26°), and Wide (51°) beam spread options available. Accepts up to 3 accessory optical accessories (hexcel louver, optical lenses, etc.). Secured in place with metal snap ring.

### Mounting

Mounts using 1/2"-14 NPS male fitting compatible with all HK Lighting mounting devices. Ships with extended 36" wiring leads with two Small (Blue) LightingShrink® connectors to ensure fast and watertight connections. (See page 4 for details)

### Listings

ETL Listed for Wet Location, IP67 Standard. RoHS Compliant.

## ORDERING GUIDE

EXAMPLE: **ARTOAL08-SR-012V03W-30N-BK**

MODEL	PHYSICAL OPTIONS	POWER		LIGHT			MATERIAL / FINISH	
<b>ARTOAL08</b>	<b>SR</b>	<b>012V</b>	<b>03W</b>					
1.25" Accent Light Integrated HK LED	<b>SR</b> Side Pivot, Round	<b>VOLTAGE</b>		<b>WATTAGE</b>		<b>CCT</b>		<b>OPTICS</b>
		<b>012V</b>	12V AC	<b>03W</b>	3 Watt (200lm)	<b>27</b>	2700K	<b>N</b> Narrow (19°)
						<b>30</b>	3000K	<b>M</b> Medium (26°)
								<b>W</b> Wide (51°)
								<b>BK</b> Aluminum Black
								<b>BZ</b> Aluminum Bronze

### OPTIONAL ACCESSORIES (Not installed at time of order)

#### GLARE SHIELD

<b>AGSA-08-XX</b>	A/B Glare Shield Angled
-------------------	-------------------------

#### OPTIC

<b>ALVR-08</b>	Hexcel Louver
<b>AOSL-08</b>	Overall Spread Lens
<b>ALSL-08</b>	Linear Spread Lens
<b>ASOL-08</b>	Solite Soft Focus
<b>AOPK-08</b>	Optic Kit - Narrow, Medium, Wide

#### MOUNTING

<b>GROUND MOUNT</b>	
<b>AMHCS-06</b>	6" PVC Single Prong Spike (12V)
<b>AMHCS-12</b>	12" PVC Single Prong Spike (12V)
<b>AMH02-06-BZ</b>	6" Stainless Steel 3-Prong Spike (12V) Bronze
<b>AMH02-12-BZ</b>	12" Stainless Steel 3-Prong Spike (12V) Bronze
<b>AJB-1</b>	Brass In-ground Junction Box
<b>CANOPY MOUNT</b>	
<b>ACM3-XX</b>	4.75" Square Canopy Plate
<b>ACM5-XX</b>	5" Round Canopy Plate
<b>SURFACE MOUNT</b>	
<b>ACMLJ-XX</b>	2.7" Round Surface Box
<b>ACB4.0-XX</b>	4" Round Surface Box
<b>ACB5.5-XX</b>	5.5" Round Surface Box
<b>EXTENSIONS</b>	
<b>AEXS-11-12-XX</b>	12" Extension for ARTOAL08
<b>AEXS-11-24-XX</b>	24" Extension for ARTOAL08
<b>AEL-11-XX</b>	Elbow for ARTOAL08

• XX represents color option.

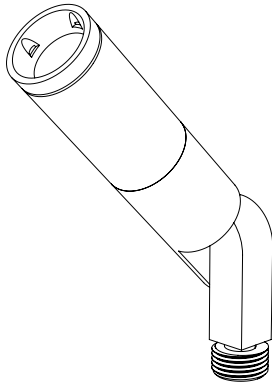
### OUTDOOR MAGNETIC TRANSFORMERS (120V input/12VAC Output)

TRANSFORMERS (Go to [Accessories](#) for detailed specification)

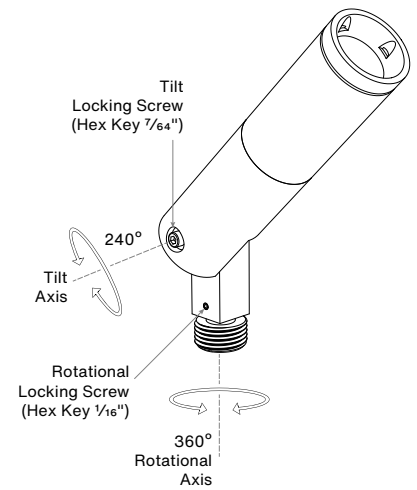
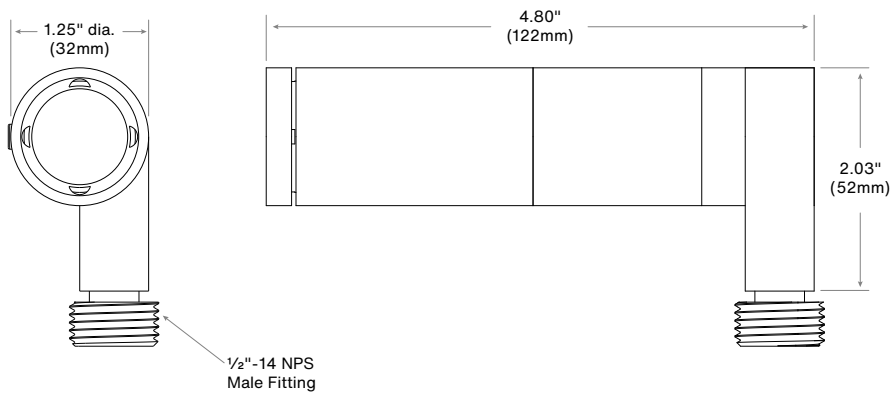
EXAMPLE: **ATXM-150-OTR-SS**

ATXM		WATTAGE (VA)		OTR-SS	
<b>MODEL</b>		<b>WATTAGE (VA)</b>		<b>PRIMARY VOLTAGE (VAC)</b>	
<b>ATXM</b>	Stainless steel, wet location outdoor magnetic transformer Multitap   12-15VAC Output   MLV Dimming	<b>150</b>	150 Watts	<b>OTR-SS</b>	120V Only
		<b>300</b>	300 Watts		

## PRODUCT DRAWINGS

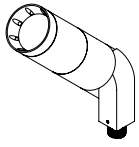


**ARTOAL08-SR**



## OPTIONS & ACCESSORIES

### HOOD OPTION



#### A HOOD

Versatile hood with 8 weep holes for water drainage. Regressed lens for glare control. Suggested for general use or when fixture is aimed in an up position.

### OPTIONAL GLARE SHIELD

For use with Hood, fastened with Set Screw



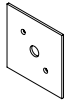
AGSA  
(angle)



### MOUNTING ACCESSORIES

Go to [Accessories](#) for options and full specifications.

#### Canopy Mount:



ACM3



ACM5

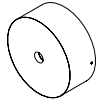
#### Surface Mount Box:



ACMLJ



ACB4.0



ACB5.5

#### Ground Mount:



AMHCS



AMH02-06



AMH02-12



AJB-1

#### Extension:

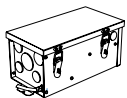


AEXS-11



AEL-11

### TRANSFORMER



#### Magnitude Otter™ Landscape Transformer Series

150W or 300W, 120V input, multi-tap output, with light sensor and surge protection. (11.46" h x 6.132" w x 5.69" d)

ATXM-150-OTR-SS  
ATXM-300-OTR-SS

### WIRING

For more information visit: [lightingshrink.com](http://lightingshrink.com)



ALSC-CR

**LightingShrink® Crimper**  
HK Lighting requires use of the LightingShrink crimper system for product warranty.



ALSC-SM20

**LightingShrink® Connector Small (Blue) - 20 pack**



ALSC-MD20

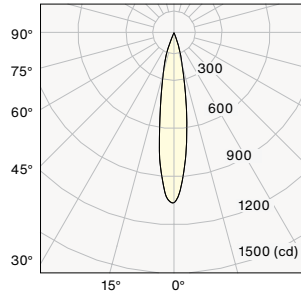
**LightingShrink® Connector Medium (Yellow) - 20 pack**

## PHOTOMETRY & ENERGY DATA

### ARTOAL08-SR (Narrow)

Input Power	2.97W
Color Temperature (CCT)	3000K
Color Rendering Index (Ra)	80
Beam Angle	18.4°
Max. Candlepower	1037cd
Delivered Lumens	171lm
Efficacy	57lm/W

Polar Graph - Intensity



Cone of Light - Illuminance

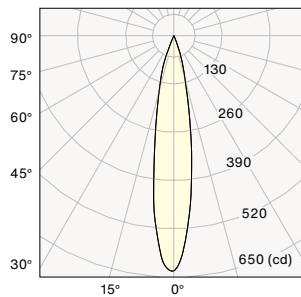
Center Beam (fc)	Beam Diameter	Distance
259	0.6'	2.0'
65	1.3'	4.0'
29	1.9'	6.0'
16	2.6'	8.0'
10	3.2'	10.0'

1/2 Beam Angle: 18.4°

### ARTOAL08-SR (Medium)

Input Power	2.98W
Color Temperature (CCT)	3000K
Color Rendering Index (Ra)	80
Beam Angle	25.4°
Max. Candlepower	636cd
Delivered Lumens	169lm
Efficacy	56lm/W

Polar Graph - Intensity



Cone of Light - Illuminance

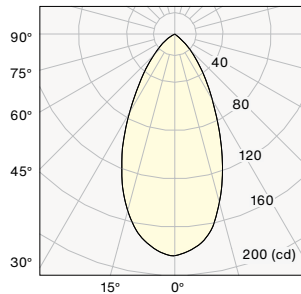
Center Beam (fc)	Beam Diameter	Distance
159	0.9'	2.0'
40	1.8'	4.0'
17	2.7'	6.0'
10	3.6'	8.0'
6	4.5'	10.0'

1/2 Beam Angle: 25.4°

### ARTOAL08-SR (Wide)

Input Power	3.0W
Color Temperature (CCT)	3000K
Color Rendering Index (Ra)	80
Beam Angle	50.9°
Max. Candlepower	183cd
Delivered Lumens	157lm
Efficacy	53lm/W

Polar Graph - Intensity



Cone of Light - Illuminance

Center Beam (fc)	Beam Diameter	Distance
46	1.9'	2.0'
11	3.8'	4.0'
5	5.7'	6.0'
3	7.6'	8.0'
2	9.5'	10.0'

1/2 Beam Angle: 50.9°

### CCT MULTIPLIER

Color Temp.	Multiplier
2700k	0.96
3000k	1.00

### Notes: