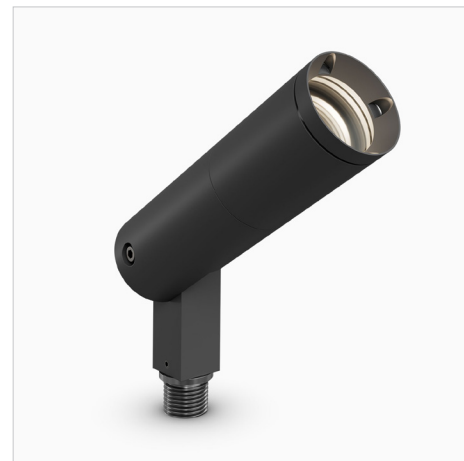


ARTOAL11

ACCENT | 1.65" dia.

7W (675lm) | 12V | HK LED



Standard Low Voltage Round Accent: ARTOAL11-SR in black

FEATURES

- Compact and powerful round, directional 12V LED modern accent light for residential landscape and architectural environments. Most appropriate for medium to tall trees, architectural columns, and residential façades from 30 to 80 feet.
- 7W integrated HK LED delivering 675 lumens. 2700K, 3000K CCT.
- Wet Location Listed, IP67 Standard.
- Machined from solid aircraft grade (6061-T6), corrosion-resistant aluminum, then anodized and powder coated to create a highly durable, marine grade finish.
- Innovative hydrophobic lens coating ensures clean, bright light for years to come.
- 240° vertical and 360° horizontal adjustment via locking swivel stem design.
- Modular components, field changeable LED optical beams, and lenses.
- Available with adjustable Angled Glare Shield and ground, surface, and canopy mounting options.
- Every fixture tested end of line for water tightness and light quality.

SPECIFICATIONS

Materials

Solid billet 6061-T6 corrosion resistant aluminum with 316 stainless steel hardware.

Finish

Aluminum materials are first anodized and then powder coated for a robust, marine grade finish.

Hood and Glare Shield

Weeping Hood Style. Angled Glare Shield available. (See page 4 for details)

Voltage

12V AC/DC. Requires remote step down transformer.

Wattage

7W HK LED delivers 675 lumens.

Light Engine

Innovative HK LED Light module operates like a lamp and can be easily changed in the field. CRI 90 Standard. 2700K, 3000K CCT.

Dimming

MLV or ELV Phase Control dimming.

Optics

Narrow (29°), Medium (40°), and Wide (57°) beam spread options available. Accepts up to 3 accessory optical accessories (hexcel louver, optical lenses, etc.). Secured in place with metal snap ring.

Mounting

Mounts using 1/2"-14 NPS male fitting compatible with all HK Lighting mounting devices. Ships with extended 36" wiring leads with two Small (Blue) LightingShrink® connectors to ensure fast and watertight connections. (See page 4 for details)

Listings

ETL Listed for Wet Location, IP67 Standard. RoHS Compliant.

ORDERING GUIDE

EXAMPLE: ARTOAL11-SR-012V07W-27N-BK

MODEL	PHYSICAL OPTIONS	POWER		LIGHT		MATERIAL / FINISH	
ARTOAL11	SR	012V	07W				
1.65" Accent Light Integrated HK LED	SR Side Pivot, Round	VOLTAGE		WATTAGE		CCT	OPTICS
		012V 12V AC	07W 7 Watt (675lm)	27 2700K	30 3000K	N Narrow (29°)	M Medium (40°)
						W Wide (57°)	
						BK Aluminum Black	BZ Aluminum Bronze

OPTIONAL ACCESSORIES (Not installed at time of order)

GLARE SHIELD

AGSA-11-XX	A/B Glare Shield Angled
-------------------	-------------------------

OPTIC

ALVR-11	Hexcel Louver
AOSL-11	Overall Spread Lens
ALSL-11	Linear Spread Lens
ASOL-11	Solite Soft Focus
AOPK-11	Optic Kit - Narrow, Medium, Wide

MOUNTING

GROUND MOUNT	
AMHCS-06	6" PVC Single Prong Spike (12V)
AMHCS-12	12" PVC Single Prong Spike (12V)
AMH02-06-BZ	6" Stainless Steel 3-Prong Spike (12V) Bronze
AMH02-12-BZ	12" Stainless Steel 3-Prong Spike (12V) Bronze
AJB-1	Brass In-ground Junction Box
CANOPY MOUNT	
ACM3-XX	4.75" Square Canopy Plate
ACM5-XX	5" Round Canopy Plate
SURFACE MOUNT	
ACMLJ-XX	2.7" Round Surface Box
ACB4.0-XX	4" Round Surface Box
ACB5.5-XX	5.5" Round Surface Box
EXTENSIONS	
AEXS-11-12-XX	12" Extension for ARTOAL11
AEXS-11-24-XX	24" Extension for ARTOAL11
AEL-11-XX	Elbow for ARTOAL11

• XX represents color option.

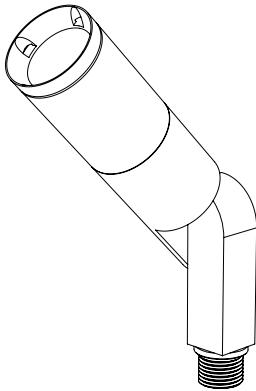
OUTDOOR MAGNETIC TRANSFORMERS (120V input/12VAC Output)

TRANSFORMERS (Go to [Accessories](#) for detailed specification)

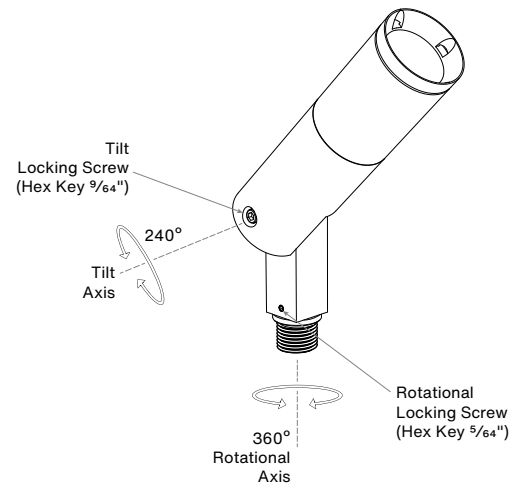
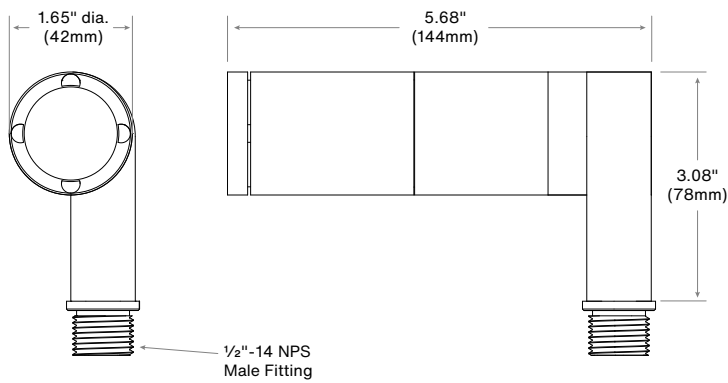
EXAMPLE: ATXM-150-OTR-SS

ATXM		OTR-SS	
MODEL		WATTAGE (VA)	
ATXM	Stainless steel, wet location outdoor magnetic transformer Multitap 12-15VAC Output MLV Dimming	150	150 Watts
		300	300 Watts
		PRIMARY VOLTAGE (VAC)	
		OTR-SS	120V Only

PRODUCT DRAWINGS

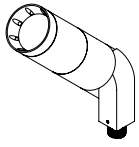


ARTOAL11-SR



OPTIONS & ACCESSORIES

HOOD OPTION



A HOOD

Versatile hood with 8 weep holes for water drainage. Regressed lens for glare control. Suggested for general use or when fixture is aimed in an up position.

OPTIONAL GLARE SHIELD

For use with Hood, fastened with Set Screw



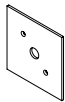
AGSA
(angle)



MOUNTING ACCESSORIES

Go to [Accessories](#) for options and full specifications.

Canopy Mount:



ACM3



ACM5

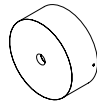
Surface Mount Box:



ACMLJ



ACB4.0



ACB5.5

Ground Mount:



AMHCS



AMH02-06



AMH02-12



AJB-1

Extension:

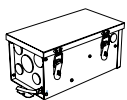


AEXS-11



AEL-11

TRANSFORMER



Magnitude Otter™ Landscape Transformer Series

150W or 300W, 120V input, multi-tap output, with light sensor and surge protection. (11.46" h x 6.132" w x 5.69" d)

ATXM-150-OTR-SS
ATXM-300-OTR-SS

WIRING

For more information visit: lightingshrink.com



LightingShrink® Crimper
HK Lighting requires use of the LightingShrink crimper system for product warranty.

ALSC-CR



LightingShrink® Connector Small (Blue) - 20 pack

ALSC-SM20



LightingShrink® Connector Medium (Yellow) - 20 pack

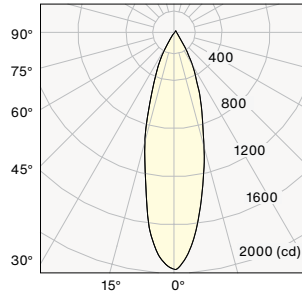
ALSC-MD20

PHOTOMETRY & ENERGY DATA

ARTOAL11-SR (Narrow)

Input Power	8.1W
Color Temperature (CCT)	3000K
Color Rendering Index (Ra)	80
Beam Angle	28.7°
Max. Candlepower	1964cd
Delivered Lumens	636lm
Efficacy	78lm/W

Polar Graph - Intensity



Cone of Light - Illuminance

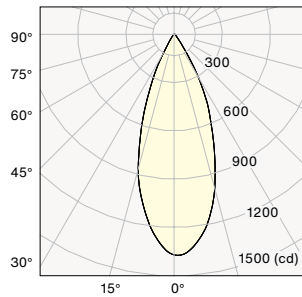
Center Beam (fc)	Beam Diameter	Distance
491	1.0'	2.0'
123	2.0'	4.0'
55	3.0'	6.0'
31	4.0'	8.0'
20	5.0'	10.0'

1/2 Beam Angle: 28.7°

ARTOAL11-SR (Medium)

Input Power	8.1W
Color Temperature (CCT)	3000K
Color Rendering Index (Ra)	80
Beam Angle	39.2°
Max. Candlepower	1383cd
Delivered Lumens	632lm
Efficacy	78lm/W

Polar Graph - Intensity



Cone of Light - Illuminance

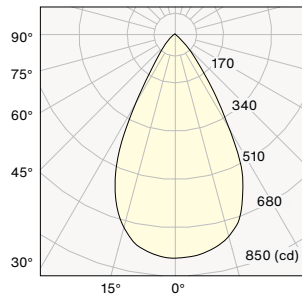
Center Beam (fc)	Beam Diameter	Distance
346	1.4'	2.0'
86	2.9'	4.0'
38	4.3'	6.0'
22	5.7'	8.0'
14	7.1'	10.0'

1/2 Beam Angle: 39.2°

ARTOAL11-SR (Wide)

Input Power	8.1W
Color Temperature (CCT)	3000K
Color Rendering Index (Ra)	80
Beam Angle	56.9°
Max. Candlepower	811cd
Delivered Lumens	675lm
Efficacy	83lm/W

Polar Graph - Intensity



Cone of Light - Illuminance

Center Beam (fc)	Beam Diameter	Distance
203	2.2'	2.0'
135	4.3'	4.0'
23	6.5'	6.0'
13	8.7'	8.0'
8	10.8'	10.0'

1/2 Beam Angle: 56.9°

CCT MULTIPLIER

Color Temp.	Multiplier
2700k	0.96
3000k	1.00

Notes: