

ARTOAL16



ACCENT | 2.25"

5 - 10W (500 - 950lm) | 12V | HK LED



Standard Low Voltage Round Accent
with Adjustable Beam Optic: ARTOAL16-SR in black

FEATURES

- Our newest and most versatile directional low voltage (12V) LED Accent Light, features the Adjustable Beam Optic for precise light aiming residential landscape environments. Most appropriate to illuminate mature trees and larger architectural elements.
- Adjustable Beam Optic enables easy beam angle adjustment from 14° to 70° with a quick hood slide, locking securely in place with a set screw for precise and reliable positioning.
- 5W, 10W integrated HK LED delivering 500 to 950 lumens. 2700K, 3000K CCT.
- Wet Location Listed, IP67 Standard.
- Machined and anodized aircraft grade aluminum (6061-T6). Powder coated to create a highly durable, marine and natatorium grade finish.
- Innovative hydrophobic lens coating ensures clean, bright light for years to come.
- 240° vertical and 360° horizontal adjustment via locking swivel stem design.
- Includes integrated weeping, Angled Glare Shield. Maintains less than 1% field light for superior glare control.
- Modular components, field changeable LED.
- Ground, surface, and canopy mounting options available.
- Every fixture tested end of line for water tightness and light quality.

SPECIFICATIONS

Materials Solid billet 6061-T6 corrosion resistant aluminum with 316 stainless steel hardware.	Voltage 12V AC/DC. Requires remote step down transformer.	Optics The Adjustable Beam Optic allows precise beam angle adjustment from a very narrow 14° spotlight to an extra wide 70° flood, locking securely with the hood screw. It maintains less than 1% field light levels.
Finish Aluminum materials are first anodized and then powder coated for a robust, marine grade finish.	Wattage 5W, 10W HK LED delivers 500 to 950 lumens.	Mounting Mounts using 1/2"-14 NPS male fitting compatible with all HK Lighting mounting devices. Ships with extended 36" wiring leads with two Small (Blue) LightingShrink® connectors to ensure fast and watertight connections. (See page 4 for details)
Hood and Glare Shield Weeping Hood Style with integrated Angled Glare Shield.	Light Engine Innovative HK LED Light module operates like a lamp and can be easily changed in the field. CRI 90 Standard. 2700K, 3000K CCT.	
Listings UL Listed for Wet Location (UL1838), IP67 Standard. RoHS Compliant.	Dimming MLV or ELV Phase Control dimming.	

ORDERING GUIDE

EXAMPLE: **ARTOAL16-SR-012V05W-27A-BK**

MODEL	PHYSICAL OPTIONS	POWER	LIGHT				MATERIAL / FINISH	
ARTOAL16	SR	012V						
2.25" Accent Light Integrated HK LED	SR Side Pivot, Round	VOLTAGE	WATTAGE		CCT		OPTICS	
		012V 12V AC	05W	5 Watt (500lm)	27	2700K	A	Adjustable (14° - 70°)
			10W	10 Watt (950lm)	30	3000K	BK	Aluminum Black
							BZ	Aluminum Bronze

OPTIONAL ACCESSORIES (Not installed at time of order)

MOUNTING

GROUND MOUNT	
AMHCS-06	6" PVC Single Prong Spike (12V)
AMHCS-12	12" PVC Single Prong Spike (12V)
AMH02-06-BZ	6" Stainless Steel 3-Prong Spike (12V) Bronze
AMH02-12-BZ	12" Stainless Steel 3-Prong Spike (12V) Bronze
AJB-1	Brass In-ground Junction Box
CANOPY MOUNT	
ACM3-XX	4.75" Square Canopy Plate
ACM5-XX	5" Round Canopy Plate
SURFACE MOUNT	
ACMLJ-XX	2.7" Round Surface Box
ACB4.0-XX	4" Round Surface Box
ACB5.5-XX	5.5" Round Surface Box
EXTENSIONS	
AEXS-11-12-XX	12" Extension for ARTOAL11
AEXS-11-24-XX	24" Extension for ARTOAL11
AEL-11-XX	Elbow for ARTOAL11

• XX represents color option.

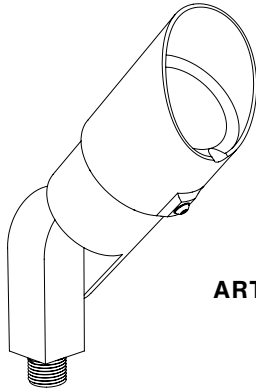
OUTDOOR MAGNETIC TRANSFORMERS (120V input/12VAC Output)

TRANSFORMERS (Go to [Accessories](#) for detailed specification)

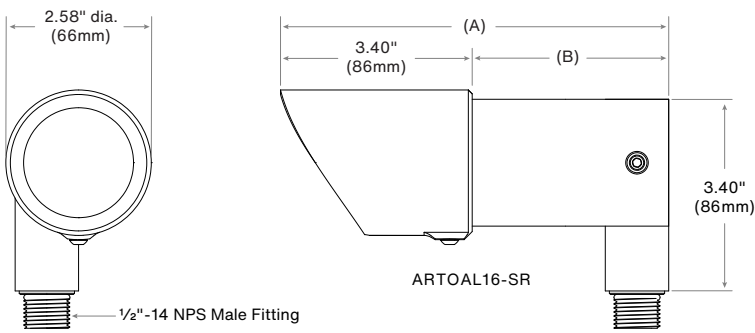
EXAMPLE: **ATXM-150-OTR-SS**

ATXM		OTR-SS	
MODEL		WATTAGE (VA)	
ATXM	Stainless steel, wet location outdoor magnetic transformer Multitap 12-15VAC Output MLV Dimming	150	150 Watts
		300	300 Watts
		PRIMARY VOLTAGE (VAC)	
		OTR-SS	120V Only

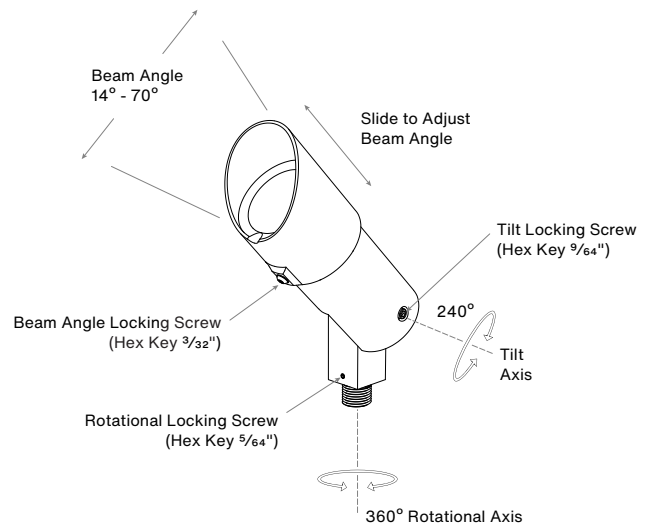
PRODUCT DRAWINGS



ARTOAL16-SR



Beam Angle (FWHM)	Dimension (A)	Dimension (B)
70	6 7/8" / 175mm	3 1/2" / 89mm
50	7 1/16" / 180mm	3 11/16" / 94mm
35	7 5/16" / 185mm	3 7/8" / 99mm
25	7 1/2" / 190mm	4 1/16" / 104mm
14	8" / 201mm	4 9/16" / 115mm

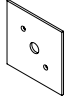


OPTIONS & ACCESSORIES

MOUNTING ACCESSORIES

Go to [Accessories](#) for options and full specifications.

Canopy Mount:



ACM3



ACM5

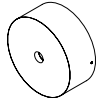
Surface Mount Box:



ACMLJ



ACB4.0



ACB5.5

Ground Mount:



AMHCS



AMH02-06



AMH02-12



AJB-1

Extension:

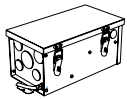


AEXS-11



AEL-11

TRANSFORMER



Magnitude Otter™ Landscape Transformer Series
150W or 300W, 120V input, multi-tap output, with light sensor and surge protection. (11.46" h x 6.132" w x 5.69" d)

ATXM-150-OTR-SS
ATXM-300-OTR-SS

WIRING

For more information visit: lightingshrink.com



LightingShrink® Crimper
HK Lighting requires use of the LightingShrink crimper system for product warranty.

ALSC-CR



LightingShrink® Connector Small (Blue) - 20 pack

ALSC-SM20



LightingShrink® Connector Medium (Yellow) - 20 pack

ALSC-MD20

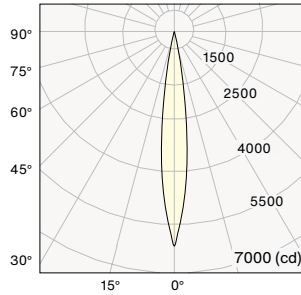
Notes:

PHOTOMETRY & ENERGY DATA

ARTOAL16-SR (Narrow)

Input Power	11.5W
Color Temperature (CCT)	3000K
Color Rendering Index (Ra)	90+
Beam Angle	14°
Max. Candlepower	6132cd
Delivered Lumens	450lm
Efficacy	39lm/W

Polar Graph - Intensity



Cone of Light - Illuminance

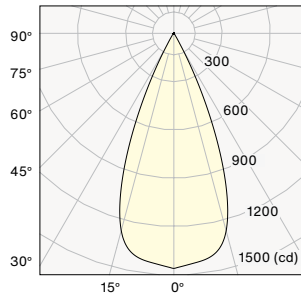
Light Level (fc)	Beam Diameter	Mtg Height
1533.11	0.48'	2.0'
383.28	0.95'	4.0'
170.35	1.43'	6.0'
95.82	1.90'	8.0'
61.32	2.38'	10.0'

1/2 Beam Angle: 14°

ARTOAL16-SR (Medium)

Input Power	11.5W
Color Temperature (CCT)	3000K
Color Rendering Index (Ra)	90+
Beam Angle	44°
Max. Candlepower	1467cd
Delivered Lumens	711lm
Efficacy	62lm/W

Polar Graph - Intensity



Cone of Light - Illuminance

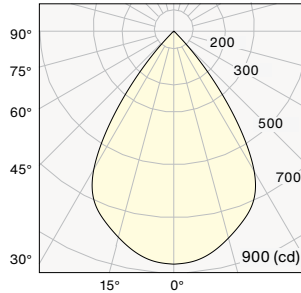
Light Level (fc)	Beam Diameter	Mtg Height
366.67	1.60'	2.0'
91.67	3.21'	4.0'
40.74	4.81'	6.0'
22.92	6.42'	8.0'
14.67	8.02'	10.0'

1/2 Beam Angle: 44°

ARTOAL16-SR (Extra Wide)

Input Power	11.5W
Color Temperature (CCT)	3000K
Color Rendering Index (Ra)	90+
Beam Angle	69°
Max. Candlepower	870cd
Delivered Lumens	943lm
Efficacy	82lm/W

Polar Graph - Intensity



Cone of Light - Illuminance

Light Level (fc)	Beam Diameter	Mtg Height
217.57	2.74'	2.0'
54.39	5.48'	4.0'
24.17	8.22'	6.0'
13.60	10.96'	8.0'
8.70	13.70'	10.0'

1/2 Beam Angle: 69°

WATTAGE MULTIPLIER

Wattage	Multiplier
5 Watt	0.53
10 Watt	1.00

CCT MULTIPLIER

Color Temp.	Multiplier
2700k	0.97
3000k	1.00