

ARTOFL08



FLOOD | 1.13"

3W (100lm) | 12V | HK LED



Low Voltage Discrete Square Flood Light: ARTOFL08-S in black

FEATURES

- Our smallest and discrete 12V LED flood light for residential landscape environments. Most appropriate for the soft illumination of low plantings, signage, and architectural accents.
- 3W integrated HKLED delivering 100 lumens of soft, pleasing light. 2700K, 3000K CCT.
- Wet Location Listed, IP67 Standard.
- Machined from solid aircraft grade (6061-T6), corrosion-resistant aluminum, then anodized and powder coated to create a highly durable, marine grade finish.
- 360° vertical and 360° horizontal adjustment via unique swivel stem design.
- Integrated, innovative Glare Shield and Solite Lens minimizes glare and ensures soft, even distribution of light.
- Every fixture tested end of line for water tightness and light quality.

SPECIFICATIONS

Materials

Solid billet 6061-T6 corrosion resistant aluminum with 316 stainless steel hardware.

Finish

Aluminum materials are first anodized and then powder coated for a robust, marine grade finish.

Glare Shield

Integrated Glare Shield included.

Voltage

12V AC/DC. Requires remote step down transformer.

Wattage

3W HK LED, delivers 100 lumens.

Light Engine

Innovative HK LED light engine. CRI 90 Standard. 2700K, 3000K CCT.

Dimming

MLV or ELV Phase Control dimming.

Optics

Wide Flood Optic included with installed Solite Lens to deliver soft light and minimize glare.

Mounting

Mounts using 1/2"-14 NPS male fitting compatible with all HK Lighting mounting devices. Ships with extended 36" wiring leads with two Small (Blue) LightingShrink® connectors to ensure fast and watertight connections. (See page 4 for details)

Listings

ETL Listed for Wet Location, IP67 Standard. RoHS Compliant.

ORDERING GUIDE

EXAMPLE: **ARTOFL08-S-012V03W-30-BK**

MODEL	PHYSICAL OPTIONS	POWER		LIGHT		MATERIAL / FINISH	
ARTOFL08	S	012V	03W				
1.13" Flood Light Integrated HK LED	S Square	VOLTAGE		WATTAGE		CCT	
		012V	12V AC	03W	3 Watt (100lm)	27	2700K
						30	3000K
						BK	Aluminum Black
						BZ	Aluminum Bronze

OPTIONAL ACCESSORIES (Not installed at time of order)

MOUNTING

GROUND MOUNT	
AMHCS-06	6" PVC Single Prong Spike (12V)
AMHCS-12	12" PVC Single Prong Spike (12V)
AMH02-06-BZ	6" Stainless Steel 3-Prong Spike (12V) Bronze
AMH02-12-BZ	12" Stainless Steel 3-Prong Spike (12V) Bronze
AJB-1	Brass In-ground Junction Box
CANOPY MOUNT	
ACM3-XX	4.75" Square Canopy Plate
ACM5-XX	5" Round Canopy Plate
SURFACE MOUNT	
ACMLJ-XX	2.7" Round Surface Box
ACB4.0-XX	4" Round Surface Box
ACB5.5-XX	5.5" Round Surface Box
EXTENSIONS	
AEXS-11-12-XX	12" Extension for ARTOFL08
AEXS-11-24-XX	24" Extension for ARTOFL08

• XX represents color option.

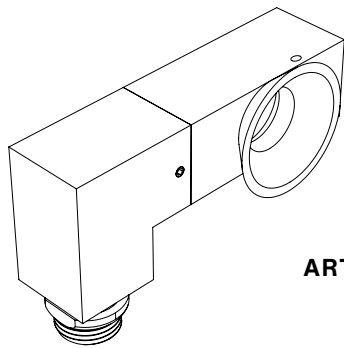
OUTDOOR MAGNETIC TRANSFORMERS (120V input/12VAC Output)

TRANSFORMERS (Go to [Accessories](#) for detailed specification)

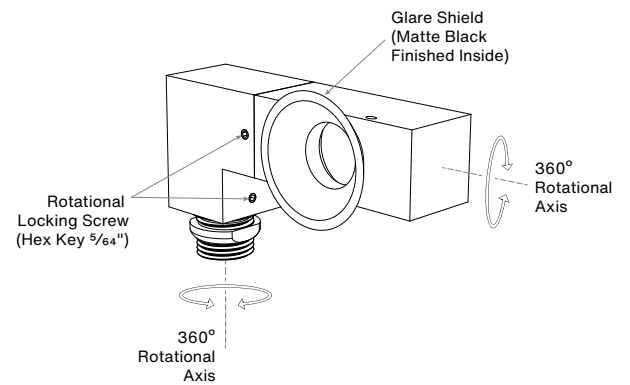
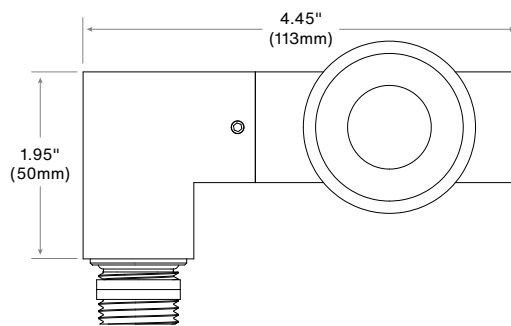
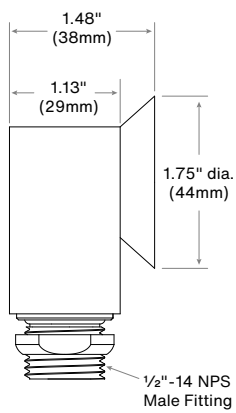
EXAMPLE: **ATXM-150-OTR-SS**

ATXM		WATTAGE (VA)		OTR-SS	
	MODEL	150	150 Watts	PRIMARY VOLTAGE (VAC)	
ATXM	Stainless steel, wet location outdoor magnetic transformer Multitap 12-15VAC Output MLV Dimming	300	300 Watts	OTR-SS	120V Only

PRODUCT DRAWINGS



ARTOFL08-S

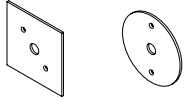


OPTIONS & ACCESSORIES

MOUNTING ACCESSORIES

Go to [Accessories](#) for options and full specifications.

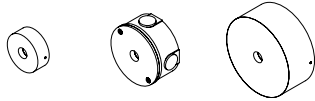
Canopy Mount:



ACM3

ACM5

Surface Mount Box:

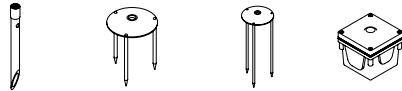


ACMLJ

ACB4.0

ACB5.5

Ground Mount:



AMHCS

AMH02-06

AMH02-12

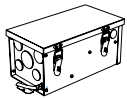
AJB-1

Extension:



AEXS-11

TRANSFORMER



Magnitude Otter™ Landscape Transformer Series

150W or 300W, 120V input, multi-tap output, with light sensor and surge protection. (11.46" h x 6.132" w x 5.69" d)

ATXM-150-OTR-SS
ATXM-300-OTR-SS

WIRING

For more information visit: lightingshrink.com



LightingShrink® Crimper
HK Lighting requires use of the LightingShrink crimper system for product warranty.

ALSC-CR



LightingShrink® Connector Small (Blue) - 20 pack

ALSC-SM20



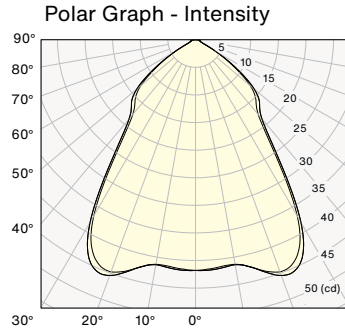
LightingShrink® Connector Medium (Yellow) - 20 pack

ALSC-MD20

PHOTOMETRY & ENERGY DATA

ARTOFL08

Input Power	3.0W
Color Temperature (CCT)	3000K
Color Rendering Index (Ra)	80
Beam Angle	73.5°
Max. Candlepower	46cd
Delivered Lumens	77 lm
Efficacy	26lm/W



Cone of Light - Illuminance

Center Beam (fc)	Beam Diameter	Distance
10.43	2.99'	2.0'
2.61	5.97'	4.0'
1.16	8.96'	6.0'
.65	11.94'	8.0'
.42	14.93'	10.0'

1/2 Beam Angle: 73.5°

WATTAGE MULTIPLIER

Wattage	Multiplier
3 Watt	1.00

CCT MULTIPLIER

Color Temp.	Multiplier
2700k	0.96
3000k	1.00

Notes: