

ARTOFL16



FLOOD | 2.25" dia.
8W (500lm) | 12V | HK LED



Low Voltage Round Flood Light: ARTOFL16-R in black

FEATURES

- Compact and powerful 12V LED round flood light for residential landscape and architectural environments. Most appropriate to illuminate walls, hedges, and large-scale plantings.
- 8W integrated HK LED delivering 500 lumens. 2700K, 3000K CCT.
- Wet Location Listed, IP67 Standard.
- Machined from solid aircraft grade (6061-T6), corrosion-resistant aluminum, then anodized and powder coated to create a highly durable, marine grade finish.
- 360° vertical and 360° horizontal adjustment via unique swivel stem design.
- Available ground, surface, and canopy mounting options.
- Every fixture tested end of line for water tightness and light quality.

SPECIFICATIONS

Materials Solid billet 6061-T6 corrosion resistant aluminum with 316 stainless steel hardware.	Voltage 12V AC/DC. Requires remote step down transformer.	Optics Includes Solite Soft Focus lens for smooth, even distribution of light.
Finish Aluminum materials are first anodized and then powder coated for a robust, marine grade finish.	Wattage 8W HK LED delivering 500 lumens.	Mounting Mounts using 1/2"-14 NPS male fitting compatible with all HK Lighting mounting devices. Ships with extended 36" wiring leads with two Small (Blue) LightingShrink® connectors to ensure fast and watertight connections. (See page 4 for details)
	Light Engine Innovative HK LED light engine. CRI 90 Standard. 2700K, 3000K CCT.	Listings ETL Listed for Wet Location, IP67 Standard. RoHS Compliant.
	Dimming MLV or ELV Phase Control dimming.	

ORDERING GUIDE

EXAMPLE: **ARTOFL16-R-012V08W-30-BK**

MODEL	PHYSICAL OPTIONS	POWER		LIGHT		MATERIAL / FINISH	
ARTOFL16	R	012V		08W			
2.25" Flood Light Integrated HK LED	R Round	VOLTAGE		WATTAGE		CCT	
		012V	12V AC	08W	8 Watt (500lm)	27	2700K
						30	3000K
						BK	Aluminum Black
						BZ	Aluminum Bronze

OPTIONAL ACCESSORIES (Not installed at time of order)

MOUNTING

GROUND MOUNT	
AMHCS-06	6" PVC Single Prong Spike (12V) ¹
AMHCS-12	12" PVC Single Prong Spike (12V) ¹
AMH02-06-BZ	6" Stainless Steel 3-Prong Spike (12V) Bronze
AMH02-12-BZ	12" Stainless Steel 3-Prong Spike (12V) Bronze
AJB-1	Brass In-ground Junction Box
CANOPY MOUNT	
ACM3-XX	4.75" Square Canopy Plate
ACM5-XX	5" Round Canopy Plate
SURFACE MOUNT	
ACMLJ-XX	2.7" Round Surface Box
ACB4.0-XX	4" Round Surface Box
ACB5.5-XX	5.5" Round Surface Box
EXTENSIONS	
AEXF-12-XX	ARTOFL16 12" Extension
AEXF-24-XX	ARTOFL16 24" Extension

¹ Due to the weight of the product, not recommended for use in soft soil.

• XX represents color option.

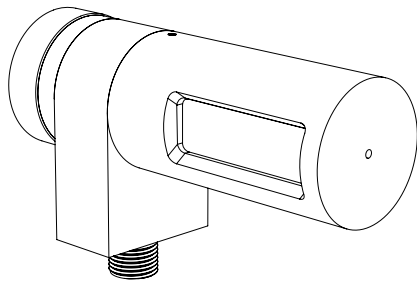
OUTDOOR MAGNETIC TRANSFORMERS (120V input/12VAC Output)

TRANSFORMERS (Go to [Accessories](#) for detailed specification)

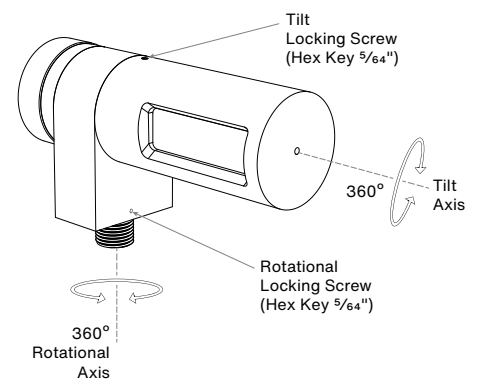
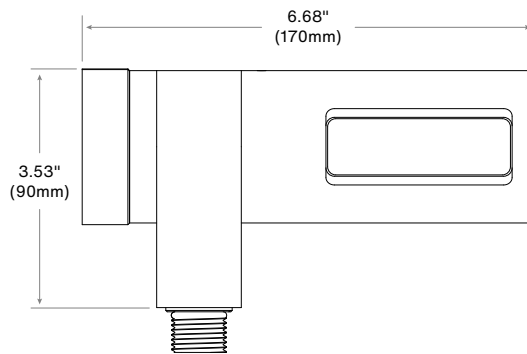
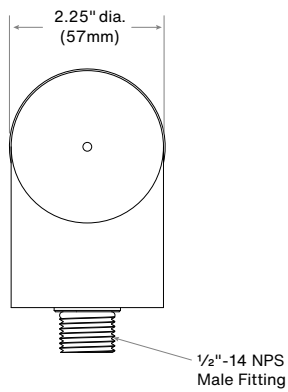
EXAMPLE: **ATXM-150-OTR-SS**

ATXM		WATTAGE (VA)		OTR-SS	
MODEL				PRIMARY VOLTAGE (VAC)	
ATXM	Stainless steel, wet location outdoor magnetic transformer Multitap 12-15VAC Output MLV Dimming	150	150 Watts	OTR-SS	120V Only
		300	300 Watts		

PRODUCT DRAWINGS



ARTOFL16-R

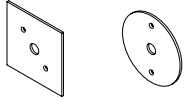


OPTIONS & ACCESSORIES

MOUNTING ACCESSORIES

Go to [Accessories](#) for options and full specifications.

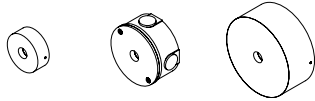
Canopy Mount:



ACM3

ACM5

Surface Mount Box:

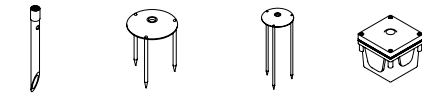


ACMLJ

ACB4.0

ACB5.5

Ground Mount:



AMHCS

AMH02-06

AMH02-12

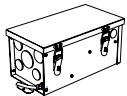
AJB-1

Extension:



AEXF

TRANSFORMER



Magnitude Otter™ Landscape Transformer Series

150W or 300W, 120V input, multi-tap output, with light sensor and surge protection. (11.46" h x 6.132" w x 5.69" d)

ATXM-150-OTR-SS

ATXM-300-OTR-SS

WIRING

For more information visit: lightingshrink.com



LightingShrink® Crimper
HK Lighting requires use of the LightingShrink crimper system for product warranty.

ALSC-CR



LightingShrink® Connector Small (Blue) - 20 pack

ALSC-SM20



LightingShrink® Connector Medium (Yellow) - 20 pack

ALSC-MD20

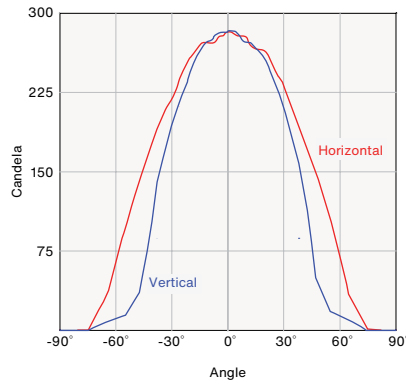
Notes:

PHOTOMETRY & ENERGY DATA

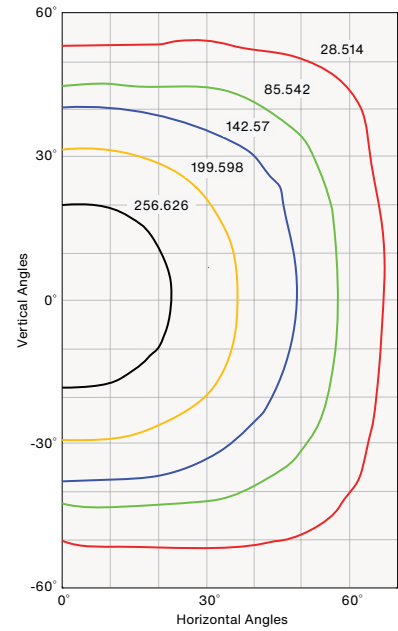
ARTOFL16-8W

Input Power	7.5W
Color Temperature (CCT)	3000K
Color Rendering Index (Ra)	83
Horizontal Beam Angle	96.4°
Vertical Beam Angle	77.1°
Max. Candlepower	285cd
Delivered Lumens	508lm
Efficacy	67.7lm/W

Axial Candela Display



Isocandela Curves



Maximum Candela = 285.14 Located at Horizontal Angle = 0°, Vertical Angle = 0°
 50% Maximum Candela = 142.57
 10% Maximum Candela = 28.514

CCT MULTIPLIER

Color Temp.	Multiplier
2700k	0.97
3000k	1.00