

# ARTOPL11



PATH | 1.65" dia.

7W (675lm) | 12V | HK LED



Standard Low Voltage Round Path Light: ARTOPL11-R1 in black

## FEATURES

- Compact and powerful directional 12V LED path light. Most appropriate to illuminate signage, wide walkways, and bold landscape or architectural elements.
- 7W integrated HK LED delivering 675 lumens. 2700K, 3000 CCT.
- Wet Location Listed, IP67 Standard.
- Utilizes fully adjustable accent fixture head with directional light.
- Machined from solid aircraft grade (6061-T6), corrosion-resistant aluminum, then anodized and powder coated to create a highly durable, marine grade finish.
- Innovative hydrophobic lens coating ensures clean, bright light for years to come.
- 240° vertical and 360° horizontal adjustment via locking swivel stem design.
- Modular components, field changeable LED optical beams, and lenses.
- Available with adjustable Angled Glare Shields and ground, surface, and canopy mounting options.
- Mounting height options at 12" and 24".
- Every fixture tested end of line for water tightness and light quality.

## SPECIFICATIONS

### Materials

Solid billet 6061-T6 corrosion resistant aluminum with 316 stainless steel hardware.

### Finish

Aluminum materials are first anodized and then powder coated for a robust, marine-grade finish.

### Hood and Glare Shield

Weeping style hood. Angled Glare Shield available. (See page 4 for details)

### Voltage

12V AC/DC. Requires remote step down transformer.

### Wattage

7W HK LED delivering 675 lumens.

### Light Engine

Innovative HK LED Light module operates like a lamp and can be easily changed in the field. CRI 90 Standard. 2700K, 3000K CCT.

### Dimming

MLV or ELV Phase Control dimming.

### Optics

Narrow (29°), Medium (40°), and Wide (57°) beam spread options available. Accepts up to 3 accessory optical accessories (hexcel louver, optical lenses, etc.). Secured in place with metal snap ring.

### Mounting

Mounts using 1/2"-14 NPS male fitting compatible with all HK Lighting mounting devices. Ships with extended 36" wiring leads with two Small (Blue) LightingShrink® connectors to ensure fast and watertight connections. (See page 4 for details)

### Listings

ETL Listed for Wet Location, IP67 Standard. RoHS Compliant.

## ORDERING GUIDE

EXAMPLE: ARTOPL11-R1-012V03W-30N-12-BK

MODEL	PHYSICAL OPTIONS	POWER		LIGHT		EXTENSION SIZE		MATERIAL / FINISH	
<b>ARTOPL11</b>	<b>R1</b>	<b>012V</b>	<b>07W</b>						
1.65" Path Light Integrated HK LED	R1 Round, Single Light	<b>VOLTAGE</b> 012V 12V AC		<b>WATTAGE</b> 07W 7 Watt (675lm)		<b>CCT</b> 27 2700K 30 3000K		<b>OPTICS</b> N Narrow (29°) M Medium (40°) W Wide (57°)	
						<b>LENGTH</b> 12 12" 24 24" <sup>1</sup>		<b>BK</b> Aluminum Black <b>BZ</b> Aluminum Bronze	

<sup>1</sup> Recommend Stainless Steel 3-prong ground mount when using 24" extension length.

### OPTIONAL ACCESSORIES (Not installed at time of order)

#### GLARE SHIELD

<b>AGSA-11-XX</b>	A/B Glare Shield Angled
-------------------	-------------------------

#### OPTIC

<b>ALVR-11</b>	Hexcel Louver
<b>AOSL-11</b>	Overall Spread Lens
<b>ALSL-11</b>	Linear Spread Lens
<b>ASOL-11</b>	Solite Soft Focus
<b>AOPK-11</b>	Optic Kit - Narrow, Medium, Wide

#### MOUNTING

<b>GROUND MOUNT</b>	
<b>AMHCS-06</b>	6" PVC Single Prong Spike (12V) <sup>2</sup>
<b>AMHCS-12</b>	12" PVC Single Prong Spike (12V) <sup>2</sup>
<b>AMH02-06-BZ</b>	6" Stainless Steel 3-Prong Spike (12V) Bronze
<b>AMH02-12-BZ</b>	12" Stainless Steel 3-Prong Spike (12V) Bronze
<b>AJB-1</b>	Brass In-ground Junction Box
<b>CANOPY MOUNT</b>	
<b>ACM3-XX</b>	4.75" Square Canopy Plate
<b>ACM5-XX</b>	5" Round Canopy Plate
<b>SURFACE MOUNT</b>	
<b>ACMLJ-XX</b>	2.7" Round Surface Box
<b>ACB4.0-XX</b>	4" Round Surface Box
<b>ACB5.5-XX</b>	5.5" Round Surface Box

<sup>2</sup> Due to the weight of the product, not recommended for use in soft soil.

• XX represents color option.

### OUTDOOR MAGNETIC TRANSFORMERS (120V input/12VAC Output)

TRANSFORMERS (Go to [Accessories](#) for detailed specification)

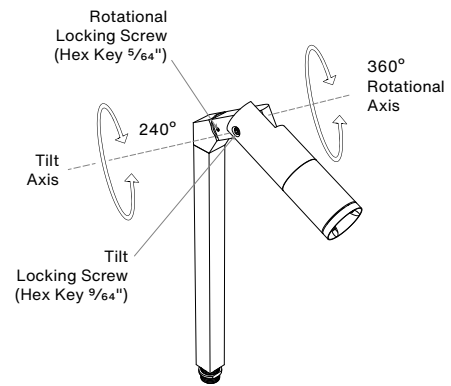
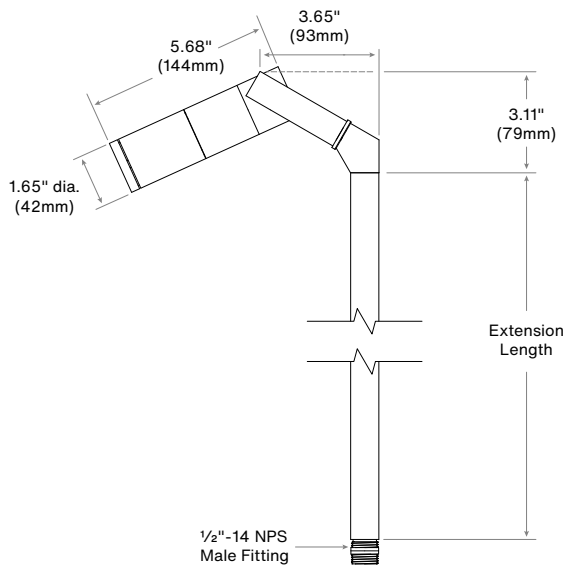
EXAMPLE: ATXM-150-OTR-SS

<b>ATXM</b>		<b>OTR-SS</b>
<b>MODEL</b>		<b>PRIMARY VOLTAGE (VAC)</b>
<b>ATXM</b>	Stainless steel, wet location outdoor magnetic transformer Multitap   12-15VAC Output   MLV Dimming	<b>OTR-SS</b> 120V Only
	<b>WATTAGE (VA)</b>	
	<b>150</b> 150 Watts	
	<b>300</b> 300 Watts	

## PRODUCT DRAWINGS

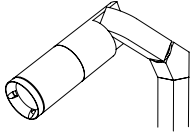


**ARTOPL11-R1**  
12" Extension



## OPTIONS & ACCESSORIES

### HOOD OPTION



#### A HOOD

Versatile hood with 8 weep holes for water drainage. Regressed lens for glare control. Suggested for general use or when fixture is aimed in an up position.

### OPTIONAL GLARE SHIELD

For use with Hood, fastened with Set Screw



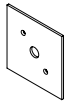
AGSA  
(angle)



### MOUNTING ACCESSORIES

Go to [Accessories](#) for options and full specifications.

#### Canopy Mount:



ACM3



ACM5

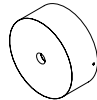
#### Surface Mount Box:



ACMLJ



ACB4.0



ACB5.5

#### Ground Mount:



AMHCS



AMH02-06

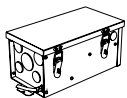


AMH02-12



AJB-1

### TRANSFORMER



**Magnitude Otter™ Landscape Transformer Series**  
150W or 300W, 120V input, multi-tap output, with light sensor and surge protection. (11.46" h x 6.132" w x 5.69" d)

ATXM-150-OTR-SS  
ATXM-300-OTR-SS

### WIRING For more information visit: [lightingshrink.com](http://lightingshrink.com)



ALSC-CR

**LightingShrink® Crimper**  
HK Lighting requires use of the LightingShrink crimper system for product warranty.



ALSC-SM20

**LightingShrink® Connector Small (Blue) - 20 pack**



ALSC-MD20

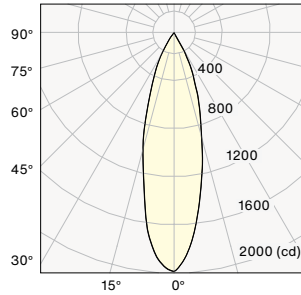
**LightingShrink® Connector Medium (Yellow) - 20 pack**

## PHOTOMETRY & ENERGY DATA

### ARTOPL11-R1 (Narrow)

Input Power	8.1W
Color Temperature (CCT)	3000K
Color Rendering Index (Ra)	80
Beam Angle	28.7°
Max. Candlepower	1964cd
Delivered Lumens	636lm
Efficacy	78lm/W

Polar Graph - Intensity



Cone of Light - Illuminance

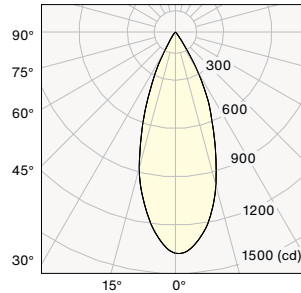
Center Beam (fc)	Beam Diameter	Distance
491	1.0'	2.0'
123	2.0'	4.0'
55	3.0'	6.0'
31	4.0'	8.0'
20	5.0'	10.0'

1/2 Beam Angle: 28.7°

### ARTOPL11-R1 (Medium)

Input Power	8.1W
Color Temperature (CCT)	3000K
Color Rendering Index (Ra)	80
Beam Angle	39.2°
Max. Candlepower	1383cd
Delivered Lumens	632lm
Efficacy	78lm/W

Polar Graph - Intensity



Cone of Light - Illuminance

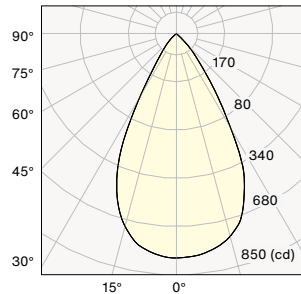
Center Beam (fc)	Beam Diameter	Distance
346	1.4'	2.0'
86	2.9'	4.0'
38	4.3'	6.0'
22	5.7'	8.0'
14	7.1'	10.0'

1/2 Beam Angle: 39.2°

### ARTOPL11-R1 (Wide)

Input Power	8.1W
Color Temperature (CCT)	3000K
Color Rendering Index (Ra)	80
Beam Angle	56.9°
Max. Candlepower	811cd
Delivered Lumens	675lm
Efficacy	83lm/W

Polar Graph - Intensity



Cone of Light - Illuminance

Center Beam (fc)	Beam Diameter	Distance
203	2.2'	2.0'
135	4.3'	4.0'
23	6.5'	6.0'
13	8.7'	8.0'
8	10.8'	10.0'

1/2 Beam Angle: 56.9°

### CCT MULTIPLIER

Color Temp.	Multiplier
2700k	0.96
3000k	1.00

### Notes: