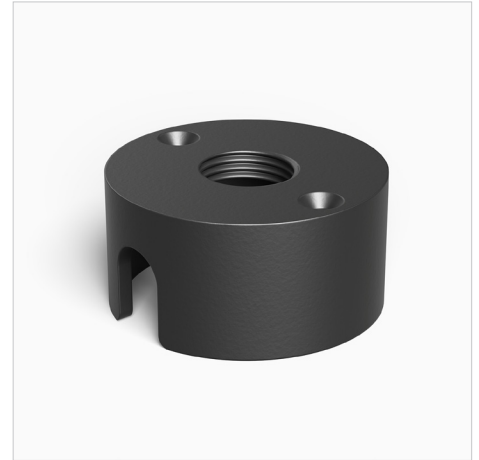


# ATMR2

ACCESSORIES | Tree Mount

## FEATURES

- Cup-shape tree mounting device.
- Crafted from aircraft-grade (6061-T6), corrosion-resistant aluminum, then anodized and powder coated to create a highly durable, marine-grade finish.
- For 12V small fixture installation.



Tree Mount For Small Low Voltage Fixtures: ATMR2-BK

## SPECIFICATIONS

### Materials

Machined from solid billet 6061-T6 corrosion-resistant aluminum.

### Voltage

For use with 12V AC/DC.

### Mounting

Accepts all 1/2"-14 NPS male fittings.

### Finish

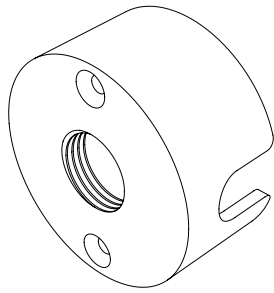
Aluminum materials are anodized and then powder coated for a robust, marine-grade finish.

## ORDERING GUIDE

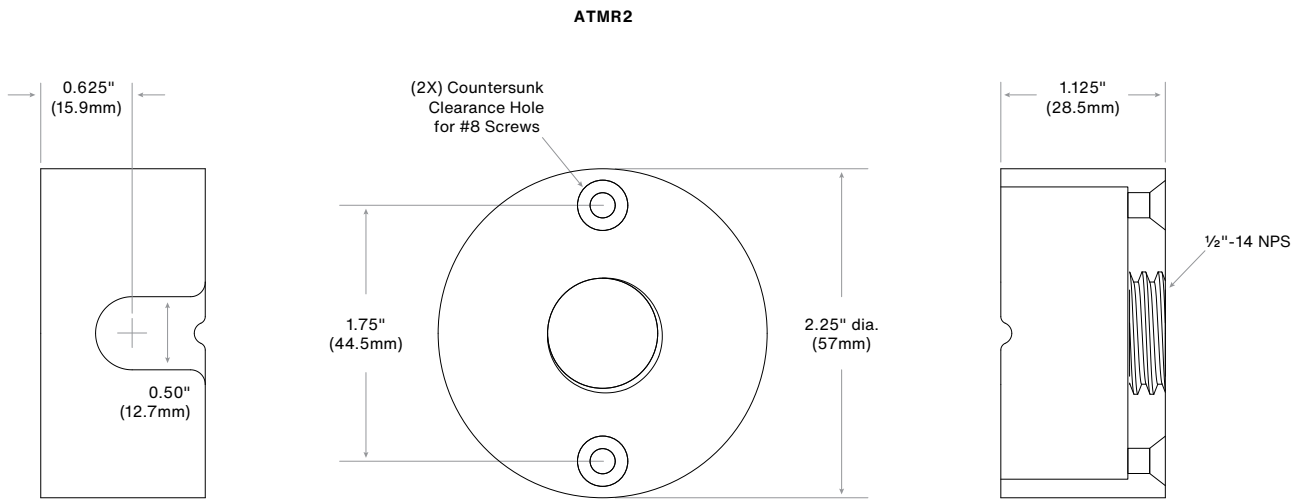
EXAMPLE: ATMR2-BZ

MODEL	FINISH	
<b>ATMR2</b>	<input type="text"/>	
Tree Mount For 12V Small Fixture	<b>BK</b>	Black Powder Coat
	<b>BZ</b>	Bronze Powder Coat

## PRODUCT DRAWINGS



**ATMR2**



**Notes:**

